

# VERS-A-BELT®

## The Versatile HORIZONTAL DRYER/COOLER



## Continuous Flow DESIGNED TO SAVE ENERGY

WALDRON ECKSTEIN  
President

Office (519) 662-2820  
Fax (519) 662-2820  
Res. (519) 662-2724

### WAL-DOR INDUSTRIES LIMITED

Canadian Manufacturer & Distributor of VERS-A-BELT DRYER-COOLER

202 Bergey Court, New Hamburg, Ontario N3A 2J5

Website: [www.waldorindustries.on.ca](http://www.waldorindustries.on.ca)  
E-mail: [waldron@waldorindustries.on.ca](mailto:waldron@waldorindustries.on.ca)

*"Our Dryers Save Energy"*

# Choice of models to match your need

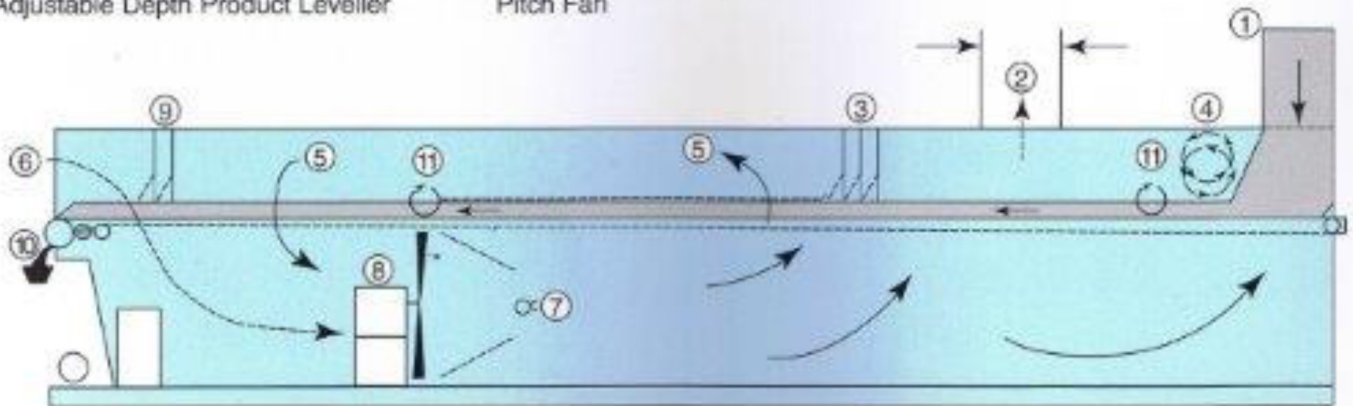


MODEL NUMBER	DRY AND COOL AREA
4-16	4 FT. W x 16 FT. L
6-24	6 FT. W x 24 FT. L
6-36	6 FT. W x 36 FT. L
8-36	8 FT. W x 36 FT. L
8-46	8 FT. W x 46 FT. L
10-46	10 FT. W x 46 FT. L
10-60	10 FT. W x 60 FT. L
11-70	11 FT. W x 70 FT. L
<i>OR CUSTOM SIZED</i>	

**Non-Standard Models for Specialty Products**  
**Models available in Single and Double Pass**

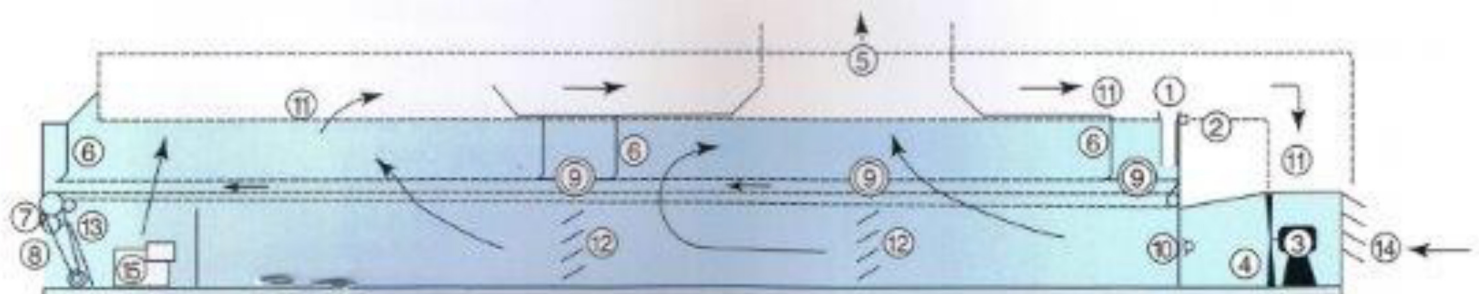
## Standard Dryer with Maximum Heat Recovery

- |   |                                     |   |
|---|-------------------------------------|---|
| 1. Wet Product Hopper                             | 5. Heated Air Returned to Fan       | 9. Positional Divider for Product Cooling |
| 2. Moisture Discharge Area                        | 6. Intake Air for Product Cooling   | 10. Product Discharge                     |
| 3. Positional Divider for Condensation Variations | 7. Burner or Alternate Heat Source  | 11. Stirator to speed product-drying      |
| 4. Adjustable Depth Product Leveller              | 8. TEFC Motor on Variable Pitch Fan |   |



## Dryer/Cooler Positive Up-Draft with Maximum Heat Recovery

- |  |  |  |
|--|--|--|
| 1. Product Enters Oscillating Spreader | 6. Positional Air Locks                | 11. Dry Air Discharge Returned to Fan/Burner           |
| 2. Motor/Gear Reducer                  | 7. Product Discharge                   | 12. Adjustable Air Control Baffles                     |
| 3. TEFC Motor                          | 8. Reverse Brush if needed             | 13. Air Jet Pipe Installed – Air Pressure Not Provided |
| 4. Adjustable Pitch Blade Fan          | 9. Product Stirrators                  | 14. Fresh Air Inlet                                    |
| 5. Moist Air Discharged to Atmosphere  | 10. Maxon Bar Burner or Alternate Heat | 15. Centrifugal Cooling Fan                            |



# VERS-A-BELT® DRYER/COOLER

## Technical Features

- QUIET OPERATING fan is located below the product.
- 1800 r.p.m. 32"/38"/42"/48" Axial Vane ADJUSTABLE PITCH FAN or CENTRIFUGAL FANS used for specific product drying.
- ELECTRICAL VOLTAGES – three phase 550/440/230/208 OR AS REQUIRED.
- SINGLE PHASE POWER can be adapted with a Phase Converter and Transformer.
- CONTROL SWITCHES 110/120 Volt Single Phase.
- ADJUSTABLE DEPTH of product. For proper air flow adjust product depth because of differing air flow characteristics.
- CARRIES the product to ELIMINATE mechanical damage. This makes it possible to handle a wider range of delicate products.
- RE-USES HEAT to LOWER COST OF OPERATION.
- LONG LASTING CARRIER WEB – galvanized or stainless steel.
- **ALL HEAT** or **HEAT AND COOL** features are available on **ALL MODELS**.
- **ALL MODELS** available as **COOLERS**.
- INCOMING PRODUCT HOPPER is designed for non-flowing product to AVOID BRIDGING.

## Optional Features

- STIRATORS are designed for equalizing moisture for a wide range of products.
- ADJUSTABLE DEPTH PRODUCT LEVELLER gives even depth pattern for non-flowing products.
- AUTOMATIC MOISTURE CONTROL.
- Load and Unload MOTOR STARTERS.
- PORTABILITY PACKAGE – wheels, axle, tonque.
- OSCILLATING SPREADER for sticky or high moisture products that compact.

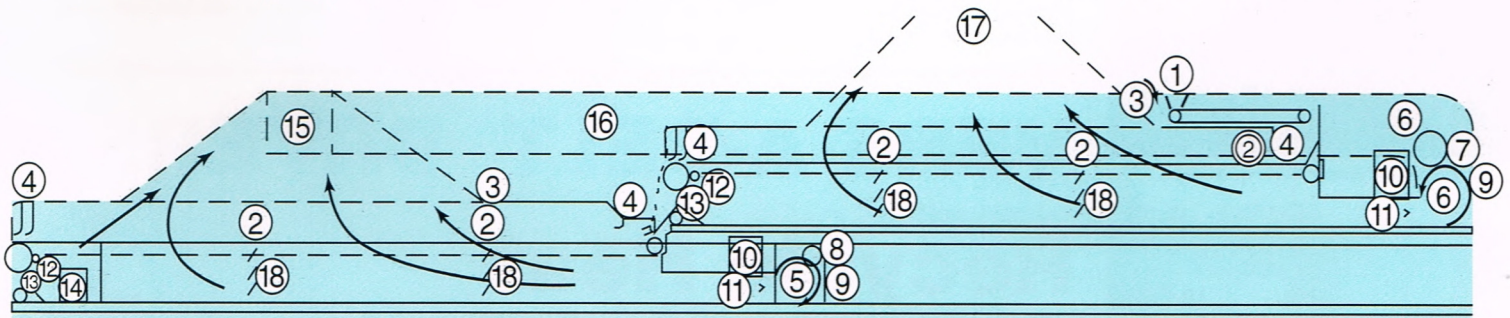
### HEAT SOURCE –

Propane – Liquid or Vapour  
 Natural Gas  
 Butane  
 Fin Coil or Steam or Liquid Heat Transfer  
 Bio Mass Burner  
 Electrical  
 Diesel  
 Furnace or Coal Oil

**So easy to operate...  
 Makes drying a pleasure**

## Tandem Dryers – Positive Up-Draft Design

- |   |  |   |
|---|--|---|
| 1. Product enters Oscillating Conveyor Spreader | 7. 60 HP TEFC Motor                                  | 13. Variable Speed Motor/Gear Reducer   |
| 2. Product Stirators                            | 8. 50 HP TEFC Motor                                  | 14. Cooling Fan/Motor Combination       |
| 3. Motor/Gear Reducer Stirator Drives           | 9. Fresh Air Intake - Duct from Outside              | 15. Hot Air Discharge Duct              |
| 4. Air Dividers                                 | 10. Electrical Control Cabinet & Fuel Control Valves | 16. Return Ducting to First Stage Dryer |
| 5. 50,000 CFM Twin Centrifical Fan              | 11. Burner Positions                                 | 17. Moist Air Discharge Duct            |
| 6. 60,000 CFM Twin Centrifical Fan              | 12. Air Jet Pipe c/w Supply Tank, Valve & Timer      | 18. Adjustable Air Control Baffles      |





Corn, Specialty Beans, Canola Wheat



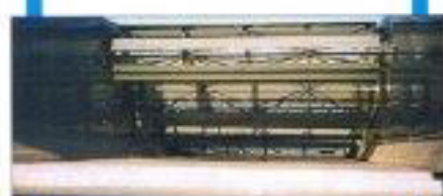
Sawdust, Bark, Chips, Bio-Mass Fuel



Alfalfa, Corn Gluten, Grain



Crab - Lobster Bodies, Capelin, Shark Fins



Adjustable Height Conveyor  
Bakery Waste Recycling



Cubed Hay - Stone, Glass



Restaurant and Bakery Waste Recycling



Apple Pomace for Horses and Pet Food

# VERS-A-BELT® DRYER/COOLER

## CUSTOM BUILT TO DRY

- Pelleted Feed
- Excluded Pet Foods
- Bakery By-Products
- Vegetable - Restaurant Waste
- Contaminated Soil
- Specialty Beans
- Onions - Berries
- Crab - Lobster Shells
- Recycled Disposable Diapers
- Poultry, Hog & Cattle Offal
- Raked Lumber for Further Farming & U.S.B.
- Milk - Drink Box Cartons, Recycling
- Cubed - Pelleted Alfalfa
- Field Cut Alfalfa
- Square Baled or Long
- Fibre Hay
- Kitty Litter
- Ornamental and Lava Rock
- Bone Meal
- Organic Fertilizer
- Cooked Wheat - Bulgur
- Primary - Secondary Paper Sludge
- Corn Cobs
- Coated Seeds
- Sawdust and Shavings
- Rabbit Droppings
- Sewage Sludge
- Feathers - Whole or Chopped
- Cubed Wood for Fireplaces
- Peat Moss
- Distilled Grains
- Worm Extrusions
- Bread Crostons - Crumbs
- Potato Waste
- Potato Starch - Peelings
- Washed Expanded Rice
- Sliced - Cubed Apples
- Apple Pomace
- Industrial Waste
- Sesame Seed
- Parsley - Spices
- Lava Rock - Barbeque Product
- Maple Chips - Barbeque Product
- Fish Products - Whole or Processed
- Extruded Fish By-Products
- Granular Fertilizer
- Wheat - Bulgur
- Organic Fertilizer
- Paper Sludge - Primary and Secondary
- Barley Green
- Roasted Soybeans - Snack Foods
- Stevia (Sweetener)
- Herbs - Echinacea Tops and Roots
- Garlic
- Sliced Tomatoes
- Whole Potatoes - After Washing
- Plus many more unique applications!

**STAINLESS STEEL CONSTRUCTION  
AVAILABLE FOR FOOD OR CORROSIVE PRODUCTS**

### Company Profile

In 1979, Wal-Dor Industries Limited, located in New Hamburg, Ontario, Canada, manufactured one basic model design of a horizontal, continuous flow dryer/cooler.

In-plant research development and extensive product testing makes the VERS-A-BELT® DRYER/COOLER adaptable to a wide range of products which require moisture removal.

To date we have designed and manufactured over 140 dryer/coolers of various size and models. They are being used across Canada, United States, Finland, New Zealand, Indonesia and Israel.

The VERS-A-BELT® DRYER/COOLER provides gentle action drying using low temperature/high air volume. The product conveyor belt is designed to carry the product through the drying/cooling cycle. The gentle action striators give a constant finished quality product.

Conventional dryers use lower air volume which can cause product scorching. Rotary drum dryers usually operate at very high temperature, tumble the product causing damage and do not include cooling.

All the VERS-A-BELT® DRYER/COOLERS are

equipped with safety controls to shut the dryer down if temperature exceeds set points or electrical failure occurs.

All dryers are built to International Approval Standards - Canadian and U.S. Fuel Safety Regulations. Electrical Voltage - adaptable to the area of installation.

Heat Sources - liquid propane, vapour propane, natural gas, steam, butane, diesel, furnace or coal oil - or as required.

For further information or product testing contact the office of Wal-Dor Industries Limited.

## VERS-A-BELT® DRYERS

# Recycle Heat & Save Fuel Dollars!

